

FLOORIGAMI™

Instructions for Use

FLOORIGAMI™

FLOORIGAMI™ PRO

Professional Installers, please see page 9 for detailed instructions.

HERE TO HELP

1.844.742.7429

AskFloorigami@shawinc.com

NOTICE: For best results, review the following guidelines prior to installation. Shaw will not be responsible for improper installation and failure to follow these guidelines may result in limiting warranty coverage.

the basics

Ready to transform your room in an afternoon?

Ready to transform your room in an afternoon? These simple steps will make you a DIY rockstar in no time. We're here to help at floorigami.com if you have any questions. You got this.

Don't forget to snap a quick picture before you begin. We want to see your wow-worthy transformation by tagging [#Floorigami](https://twitter.com/Floorigami).

Just remember, Floorigami DIY carpet isn't designed to go over carpeted floors or carpet padding. Just pop it on top of your existing hard surface floor and transform your favorite space in no time!

TOOLS YOU'LL NEED:

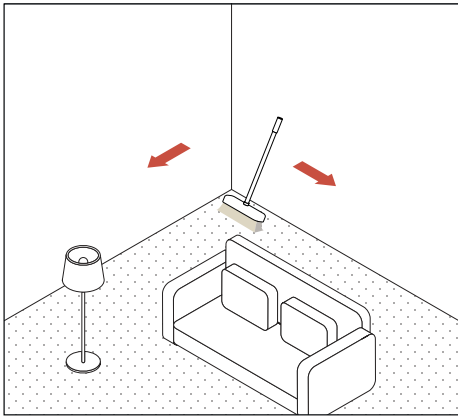
- Broom
- Marker
- Safety gloves
- Tape measure
- Metal straight edge
- Vacuum
- Chalk line
- Sharp carpet knife

CREATING A CUSTOM AREA RUG?

- Follow steps 1 - 4, just measure and mark your area rug space rather than marking your entire room.
- You can use painter's tape as a replacement for the chalk line and marker to keep your existing floor free from permanent marks.

STEP 1:

prep

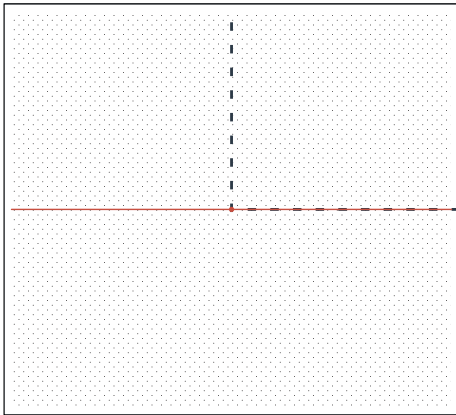


YOU'LL NEED: Broom

- Inspect your Floorigami material prior to installation. Contact us at [1.844.742.7429](tel:18447427429) if a visible manufacturing defect exists. If such a defect is installed, Shaw is not liable for the installation.
- A proper installation depends on the proper site conditions. The following conditions must be maintained for 24 hours prior to, during and permanently after installation:
 - **HVAC System:** Must be operational maintaining the following conditions.
 - **Temperature:** The installation site, carpet and adhesive must be between 50° F and 95° F.
 - **Humidity:** The installation site's ambient relative humidity should not fall below 40%.
- The existing hard surface floor must be structurally sound, clean, level and dry before you begin.
- Sweep your floors and ensure they are free of dust, dirt, oil, grease, paint, curing agents, concrete sealers, loosely bonded toppings, loose particles and any other substance or condition that may prevent or reduce adhesion.
- Plywood Subfloors: Floors must be Wood Association Approved and primed with a paint roll application of liquid latex such as Shaw 9050 floor primer.
- Concrete Subfloors: Fill depressions or cracks by using a gypsum-based patching and/or leveling compound containing Portland or high alumina cement that meets or exceeds the compression strength of 3,000 PSI.

STEP 2:

measure



YOU'LL NEED:

Tape measure

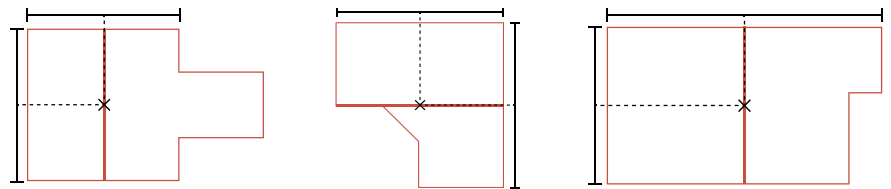
Marker

Chalk line

- Start your installation as close to the center of the room as possible. To find the center of your room, follow these steps:
 - Locate your two longest, straightest walls.
 - Use the tape measure to find the center of each wall.
 - Measure a line from the center of each wall until the lines intersect. This will be the center of the room. Mark the center.
- Once you have identified the center of the room, snap a chalk line along the horizontal or vertical line dividing your room in half. You will install half the room before moving to the other half.
 - To snap a chalk line, grab a friend to help.
 - Pull the string across the room so it aligns with the marked center.
 - Once the string is lined up, pull the string taut and snap the string. This will leave a straight line dividing your room in half.
 - Avoid stepping on the chalk line as chalk can transfer to your shoes, clothing and carpet tiles.

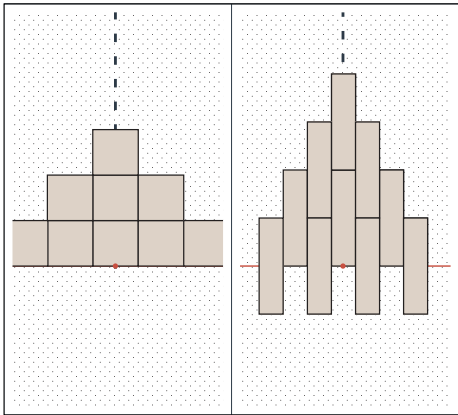
TIP

When installing on finished floors, skip the chalk line altogether and use painter's tape instead.



STEP 3:

design & place

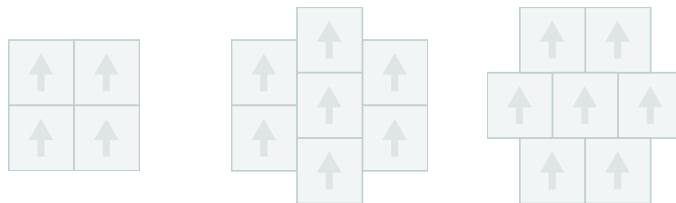


YOU'LL NEED:

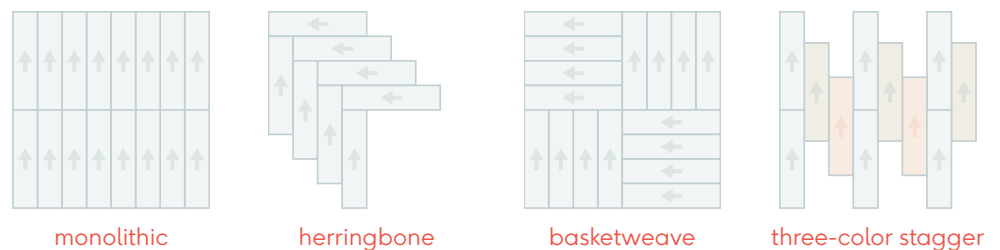
No additional tools needed for this step.

- Each tile has directional arrows on the back. These arrows allow for one-directional or multi-directional installation. See below for some pattern ideas.
- Start in the center of the room, along the chalk line. Lay out your tiles using the directional arrows on the back of each tile.
- For larger rooms, peel and stick the first tile, but continue laying out the remainder of the tiles with the liner still on the adhesive until your full pattern is achieved.
- Install tiles using a pyramid technique as shown above. This gives you multiple alignment checks. If the edges do not align, find and correct the source of the problem. Continue until you have completed half of the room.
- Slide tiles into position to prevent yarn from being trapped between the tiles. Trapped yarn will adversely affect the appearance of the installation and will cause alignment problems.
- As you approach the walls, you will have tiles that are too long or too short. We will cut those in the next step for a perfect fit.

SQUARE TILE INSTALLATION METHODS

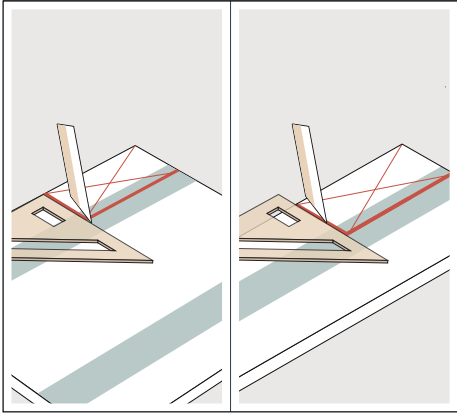


PLANK TILE INSTALLATION METHODS



STEP 4:

attach & cut



YOU'LL NEED:

Metal straight edge
Sharp carpet knife

Safety gloves
Vacuum

- Each tile has adhesive applied to the back during the manufacturing process. The adhesive has a protective liner that has to be removed prior to installing the carpet tile.
- Once you have your design finalized and the tiles are ready to install, simply peel the protective liner from the back and position snugly to the adjacent tile.
- Tiles must fit snugly, but not be compressed.
- We recommend cutting your tiles first before you remove the liner from the adhesive.

SIMPLE CUT?

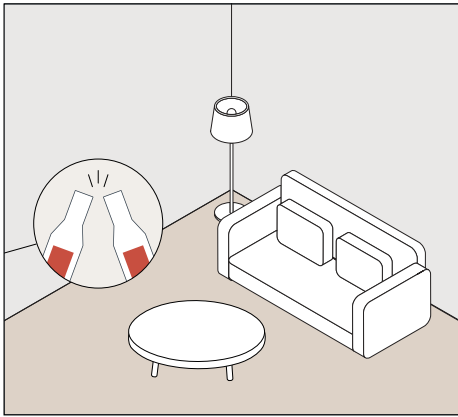
- Measure and cut tiles from the back using a metal straight edge. Ensure arrows are pointing in the correct direction.
- Be sure to cut your tiles on a protected hard surface.

TRICKY CUT?

- We have plenty of helpful tips on floorigami.com if you are stuck. You can also call us anytime at [1.844.742.7429](tel:18447427429).
- Looking for a little tip to skip tricky cuts altogether? Feel free to leave some of your hard floor peaking out for a modern, trendy look to eliminate the need to go right up against the wall.
- To finish up, just vacuum any loose fibers.

STEP 5:

enjoy!



Congratulations!

You're officially a DIY rockstar! Kick back, relax and enjoy your new Floorigami space. For post installation care and protection, visit floorigami.com.

Don't forget to upload your wow-worthy transformation pics by tagging [#Floorigami](https://twitter.com/Floorigami)

These installation procedures are intended to assist in the indoor installation of Floorigami Carpet Tile under most job conditions. See Shaw Industries and CRI 105 Residential Installation Guidelines for specific questions regarding installation not covered within or refer to Shaw Support at [1.844.742.7429](tel:18447427429).

Any variance from these procedures will become the responsibility of the installer and not the manufacturer.

Floorigami Pro Installation

the basics

For best results, review the following guidelines prior to installation. Shaw will not be responsible for improper installation and failure to follow these guidelines may result in limiting warranty coverage.

Just remember, Floorigami soft modular flooring isn't designed to go over carpeted floors or carpet padding. Simply install it on top of existing hard surface flooring or subfloors.

TOOLS YOU'LL NEED:

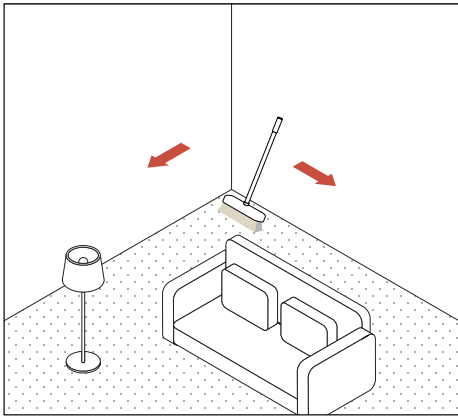
- Broom
- Marker
- Safety gloves
- Tape measure
- Metal straight edge
- Vacuum
- Chalk line
- Sharp carpet knife

CREATING A CUSTOM AREA RUG?

- Follow steps 1 - 4, just measure and mark your area rug space rather than marking your entire room.
- You can use painter's tape as a replacement for the chalk line and marker to keep your existing floor free from permanent marks.

STEP 1:

prep

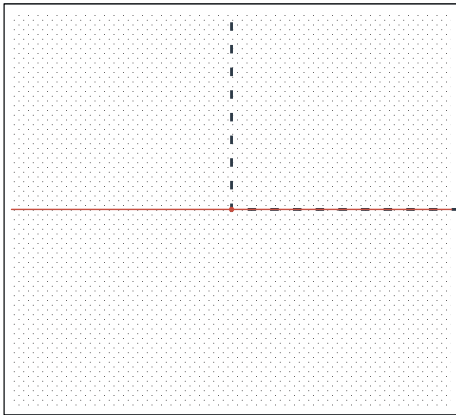


YOU'LL NEED: Broom

- Inspect your Floorigami material prior to installation. Contact us at [1.844.742.7429](tel:18447427429) if a visible manufacturing defect exists. If such a defect is installed, Shaw is not liable for the installation.
- A proper installation depends on the proper site conditions. The following conditions must be maintained for 24 hours prior to, during and permanently after installation:
 - **HVAC System:** Must be operational maintaining the following conditions.
 - **Temperature:** The installation site, carpet and adhesive must be between 50° F and 95° F.
 - **Humidity:** The installation site's ambient relative humidity should be between 40-60%.
- The existing hard surface floor must be structurally sound, clean, level and dry before you begin.
- Sweep and vacuum your floors and ensure they are free of dust, dirt, oil, grease, paint, curing agents, concrete sealers, loosely bonded toppings, loose particles and any other substance or condition that may prevent or reduce adhesion.
- Plywood Subfloors: Floors must be Wood Association Approved and primed with a paint roll application of liquid primer such as Shaw 9050.
- Concrete Subfloors: Fill depressions or cracks by using a leveling compound containing Portland or high alumina cement that meets or exceeds the compression strength of 3,000 PSI.

STEP 2:

measure

**YOU'LL NEED:**

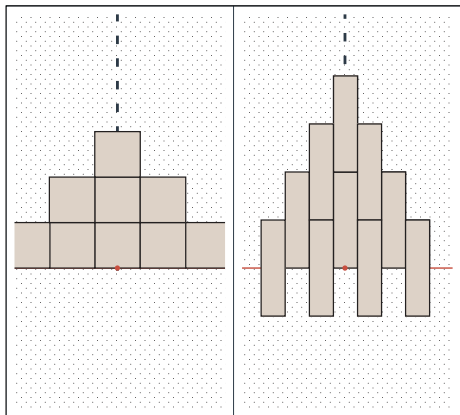
Tape measure
Chalk line

Marker

-
- Start your installation as close to the center of the room as possible.
 - Once you have identified the center of the room, snap a chalk line along the horizontal or vertical line dividing your room in half. You will install half the room before moving to the other half.

STEP 3:

design & place



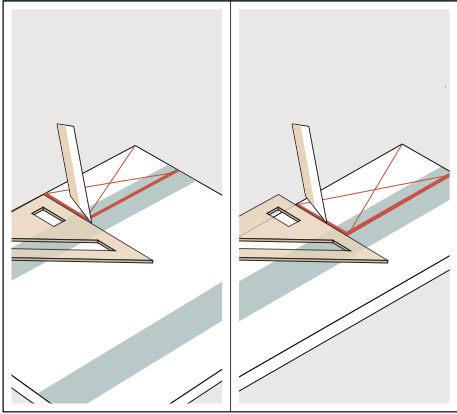
YOU'LL NEED:

No additional tools needed for this step.

- Each tile has directional arrows on the back. These arrows allow for one-directional or multi-directional installation. See below for some pattern ideas. You must follow the arrows in order for carpet pile to lay correctly.
- Start in the center of the room, along the chalk line. Lay out your tiles using the directional arrows on the back of each tile.
- For larger spaces, peel and stick the first tile and continue to dry lay the remainder of the tiles to ensure your installation pattern looks perfect.
- Install tiles using a pyramid technique as shown above. This gives you multiple alignment checks. If the edges do not align, find and correct the source of the problem. Continue until you have completed half of the room.
- Slide tiles into position to prevent yarn from being trapped between the tiles. Trapped yarn will adversely affect the appearance of the installation and will cause alignment problems.
- As you approach the walls, you will have tiles that are too long or too short. We will cut those in step 4 for a perfect fit.

STEP 4:

attach & cut



YOU'LL NEED:

Metal straight edge
Sharp carpet knife

Safety gloves
Vacuum

- Each tile has adhesive applied to the back during the manufacturing process. The adhesive has a protective liner that has to be removed prior to installing the carpet tile.
- Once you have your design finalized and the tiles are ready to install, simply peel the liner from the back and position snugly to the adjacent tile.
- Tiles must fit snugly, but not be compressed.
- We recommend cutting your tiles first before you remove the film from the adhesive.

SIMPLE CUT?

- Measure and cut tiles from the back using a metal straight edge. Ensure arrows are pointing in the correct direction.
- Be sure to cut your tiles on a protected hard surface.

TRICKY CUT?

- We have plenty of helpful tips on floorigami.com if you are stuck. You can also call us anytime at [1.844.742.7429](tel:18447427429).
- Looking for a little tip to skip tricky cuts altogether? Feel free to leave some of your hard floor peaking out for a modern, trendy look to eliminate the need to go right up against the wall.
- To finish up, just vacuum any loose fibers.

For post installation care and protection, visit floorigami.com

These installation procedures are intended to assist in the indoor installation of the Floorigami Carpet Tile under most job conditions. See Shaw Industries and CRI 105 Residential Installation Guidelines for specific questions regarding installation not covered within or refer to Shaw Technical Support at [1.844.742.7429](tel:18447427429). Any variance from these procedures will become the responsibility of the installer and not the manufacturer.